



Odyssey Intelligent Open-Area Visual Indicator (200-105)

The Open-Area Alarm Devices are loop-powered, wall mounted devices designed for use in open areas and can be connected to any Odyssey, Discovery or CoreProtocol system.

The range includes sounders, visual indicators and sounder visual indicators all designed to fit a common mounting base.

- Synchronisation of flashes
- Individual and group addressing
- EN 54 versions available with built-in isolator
- Wire-to-base for simple interchange of devices
- Device locking facility

KEY FEATURES

- Synchronisation of tones and flashes
- Individual and group addressing
- Built-in isolator (EN54 versions only)
- Wire-to-base for simple interchange of device
- Device locking facility

TECHNICAL SPECIFICATION

- | | |
|---|--|
| • Operating Voltage | 17-28 Vdc |
| • Current Consumption
@24V Quiescent | 1.2 mA for <1 sec |
| • Switch On Surge | 333 uA |
| • Operating Temperature | -10 C to +55 C |
| • IP Rating | IP 65 |
| • Weight | 205 g |
| • Materials | Body - red polycarbonate
Diffuser - translucent polycarbonate |

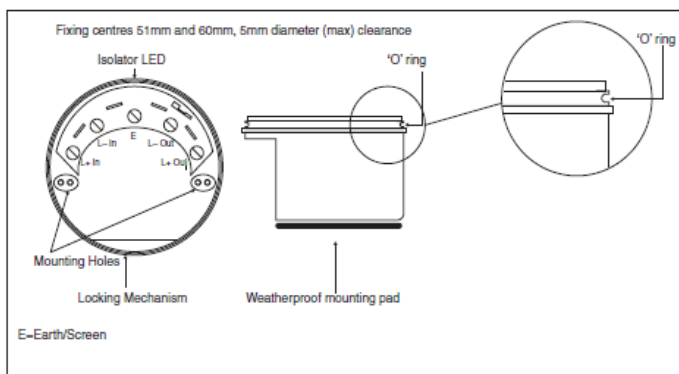


Fig 2 Base diagram