

### TECHNICAL DATASHEET

#### Part Numbers and Product Order Codes:-

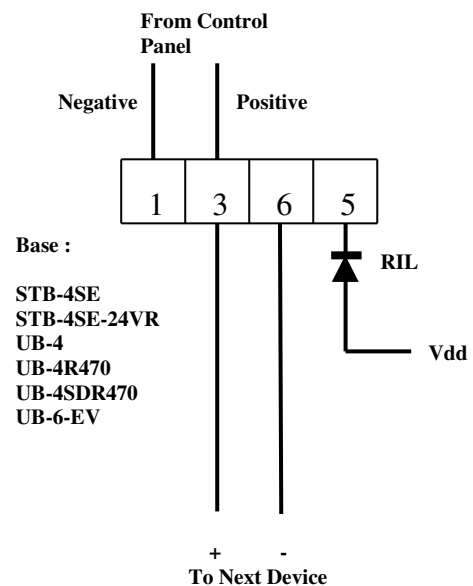
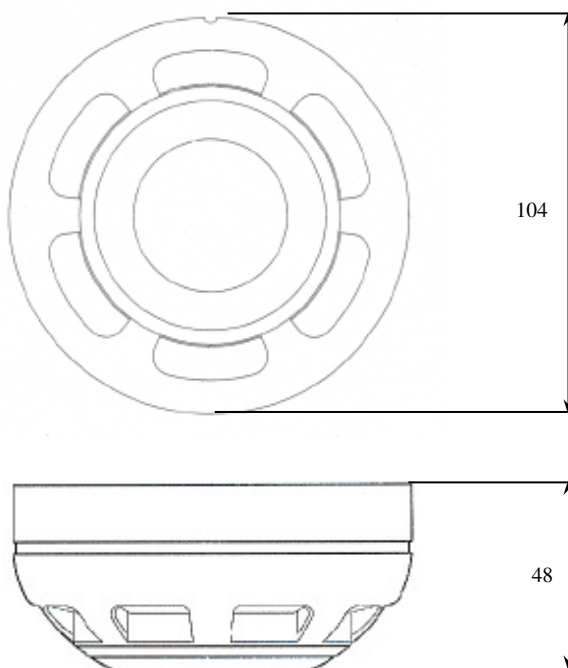
Part Number	-	-	-	-	-	ST-P-OM
Description	-	-	-	-	-	Conventional Optical Sensor
Computer Reference Number	-	-	-	-	-	F02-82220

#### Technical Specifications:-

Sensor Method	-	-	-	-	-	Light Scatter
Sensor Element	-	-	-	-	-	1 x Light Emitting Diode
Operating Voltage	-	-	-	-	-	12V d.c. to 32V d.c.
System Voltage	-	-	-	-	-	24V d.c.
Quiescent Current	-	-	-	-	-	50µA
Alarm Current	-	-	-	-	-	50mA
Current for external remote LED indicator	-	-	-	-	-	2mA
Operating Temperature	-	-	-	-	-	- 10°C to + 55°C
Storage Temperature	-	-	-	-	-	- 20°C to + 60°C
Charging Time	-	-	-	-	-	20 Seconds
Relative Humidity	-	-	-	-	-	≤ RH95% non-condensing.
I.P. Protection Rating	-	-	-	-	-	IP42
Material	-	-	-	-	-	ABS
Dimensions	-	-	-	-	-	Ø104mm x 33mm (Sensor head) Ø104mm x 48mm (Sensor head and UB-4)
Mass	-	-	-	-	-	118g (Sensor head) 183g (Sensor head and UB-4 base)
EMC Conformance	-	-	-	-	-	BSEN50130-4
CPR Certificate	-	-	-	-	-	2831-CPR-F2428
UKCA Certificate	-	-	-	-	-	0832-UKCA-CPR-F0040
Standards / Certification	-	-	-	-	-	EN54-7: 2018 – LPCB 1461
DoP Number	-	-	-	-	-	F2428

All wiring must conform to the current edition of IEE Wiring regulations and BS5839 Part 1

All loop Cable Screens shall be connected together, but must be Isolated from Ground. Cable Screens shall be connected to Earth Ground within the Control Panel ONLY.



**NOTE: In line with ST-P, external current limiting must be observed.**