

The Banshee Excel™ CH sounder represents the most modern, acoustically advanced and by far the most versatile conventional electronic sounder available on the market today.

The sounder comes with 32 user-selectable tones incorporating low frequencies, high frequencies, European, American and Australian norms and all industry-standard frequency patterns.

Tested and approved to EN 54 Part 3, the Banshee Excel™ CH sounder boasts leading acoustics, aesthetically pleasing design and low power consumption. The unit is designed for ease of installation and is complemented by a wide selection of accessories to suit all applications.

Banshee Excel™ CH is manufactured in flame retardant ABS and is available in three colours, making it suitable for a wide range of alarm and signalling applications. The sounder is fitted with a professional capsule driven horn and uses the push and twist bayonet fitting Banshee^{MT} base compatible with other products in the Banshee Excel™ range.



FEATURES

- 32 user-selectable tones - industry standard compatible
- Very low current consumption
- EN 54-3 tested and fully approved in accordance with CPR
- VdS approved
- Uses same bases as Banshee^{MT} - simple push and twist bayonet mounting with locking screw
- Available in three colours - red, white or grey
- Easy to install with side and rear cable entry
- Robust 'two in two out' 2.5 mm² terminals
- Three selectable volume levels
- Rated to IP 66 or IP 45
- Extensive family of accessories for a wide range of applications
- Recyclable

SPECIFICATION

Operating Voltage (V dc):	9-30
Operating Voltage EN 54-3 (V dc):	24 (20 -28)
Tone Current Consumption (mA):	See Sound Output Table#
Sound Output (dBA Typ @1 m):	See Sound Output Table#
Tones Available:	See Sound Output Table#
Body Colours:	Red, White or Grey
Temperature Range (Deg C):	-40 to +70°C
Volume Control:	High, Medium (-10 d B(A)) Low (-20 d B(A))
Environment Category / IP Rating:	Type A/IP 45 Std Base Type B/IP 66 Deep Base

The unit meets minimum requirements of IP 21C Shallow Base and IP 33C Deep Base in accordance with EN 54-3

APPROVALS



PART NUMBERS - SOUNDER

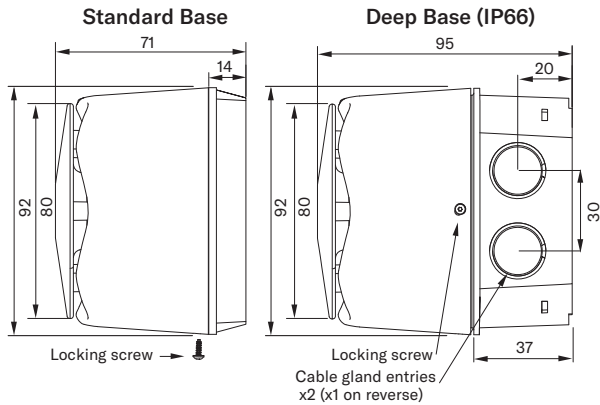
- 902CHA6A0: Banshee Excel CH - Red
- 902CHA4A0: Banshee Excel CH - White
- 902CHA5A0: Banshee Excel CH - Grey
- 903CHA6A0: Banshee Excel CH - Red, Deep Base IP 66
- 903CHA4A0: Banshee Excel CH - White, Deep Base IP 66
- 903CHA5A0: Banshee Excel CH - Grey, Deep Base IP 66

PART NUMBERS - SPARES & ACCESSORIES

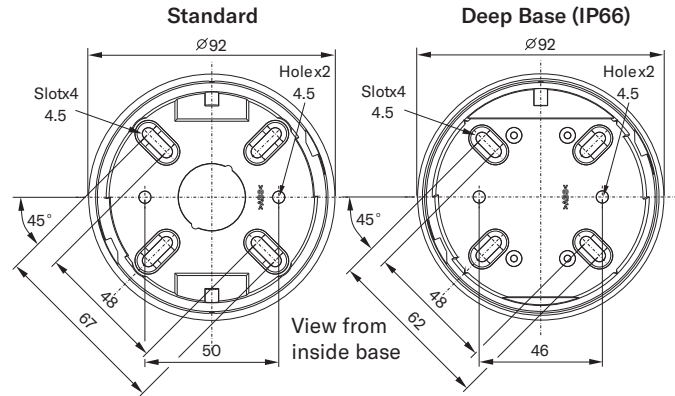
- 8502700: Mains Pack - 110 V ac/230 V ac input 24 V dc output
- 8502800: Cable Spacing Ring for Surface Wiring of sounder
- 8502900: Flush Mounting Ring - for Banshee Excel, Excel Lite
- 8503000: Combination bracket - for Sounders and Strobes
- 8503100: External Fixing Clip for Deep Base
(avoids drilling through base thus retaining IP 66 rating)
- BA87331/P: Deep Base - White, complete with 'O' Ring
- BA87341/P: Deep Base - Red, complete with 'O' Ring
- BA87351/P: Deep Base - Grey, complete with 'O' Ring

INSTALLATION

BANSHEE EXCEL™ CH SOUNDER



BANSHEE EXCEL™ COMMON BASE



Sound Output Table & Tone Specification

No.	DIL SW 1 2 3 4 5	Description	Frequency and timing	2nd Tone	(12V)		(24V)	
					dBA	mA	dBA	mA
1	0 0 0 0 0	Banshee Buzz LF	800Hz to 950Hz swept at 120Hz	4	94	6	101	12
2	1 0 0 0 0	Banshee Fast Sweep LF*	800Hz to 950Hz swept at 9Hz	4	94	6	101	12
3	0 1 0 0 0	Banshee Slow Sweep LF	800Hz to 950Hz swept at 3Hz	4	94	6	101	12
4	1 1 0 0 0	Banshee Continuous LF	Continuous at 900Hz	4	94	6	101	12
5	0 0 1 0 0	Banshee Fast Sweep LF (New)	830Hz to 970Hz swept at 9Hz	4	95	6	101	12
6	1 0 1 0 0	Medium Sweep LF*	800Hz to 970Hz swept at 1Hz	7	96	6	101	12
7	0 1 1 0 0	Continuous LF	Continuous at 950Hz	7	96	6	102	13
8	1 1 1 0 0	Back Up Alarm LF	Intermittent at 950Hz 1 sec on, 1 sec off	4	96	8	102	14
9	0 0 0 1 0	Alternate LF	Alternating 800Hz/1000Hz at 1Hz	4	94	6	100	13
10	1 0 0 1 0	Medium Sweep LF	800Hz to 1000Hz swept at 0.5 secs	4	95	6	101	12
11	0 1 0 1 0	Alternate LF	Alternating Tones 800/950 at 3Hz	4	96	6	101	12
12	1 1 0 1 0	Banshee Buzz HF	2400Hz to 2900Hz at 120Hz	15	102	16	110	35
13	0 0 1 1 0	Banshee Fast Sweep HF	2400Hz to 2900Hz at 9Hz	15	103	17	110	35
14	1 0 1 1 0	Banshee Slow Sweep HF	2400Hz to 2900Hz at 3Hz	15	103	17	110	35
15	0 1 1 1 0	Banshee Continuous HF	Continuous 2900Hz*	15	103	19	110	39
16	1 1 1 1 0	Banshee Fast Sweep HF (New)	2450Hz to 3100Hz swept at 9Hz	15	103	18	110	36
17	0 0 0 0 1	Back Up Alarm HF	Intermittent at 2900Hz 1 sec on, 1 sec off*	15	104	18	110	36
18	1 0 0 0 1	Alternate HF	Alternating Tones 2400/2900 at 3Hz	15	104	16	110	36
19	0 1 0 0 1	Slow Whoop*	500hz rising to 1200hz over 3.5 secs, silence 0.5 sec	4	95	6	101	12
20	1 1 0 0 1	Din Tone (DK)*	1200Hz falling to 500Hz over 1 sec, silence 10mS, repeat	4	93	5	100	10
21	0 0 1 0 1	French Fire Sound*	554Hz for 100mS and 440Hz for 400mS	4	90	4	96	7
22	1 0 1 0 1	Australian Alert Signal	420Hz repeating 0.625 sec on, 0.625 sec off	4	89	3	95	6
23	0 1 1 0 1	Australian Evacuation Signal	500Hz to 1200Hz sweeping, 3.75 secs on, 0.25 secs off	4	95	6	103	12
24	1 1 1 0 1	US Temporal Tone LF	950Hz for 0.5 sec on, 0.5 sec off for 3 phases, silence for 1.5secs and repeat	4	95	5	101	10
25	0 0 0 1 1	US Temporal Tone HF	2900Hz for 0.5 sec on, 0.5 sec off for 3 phases, silence for 1.5secs and repeat	15	104	13	110	26
26	1 0 0 1 1	Swedish Tone (Fire)	Intermittent 660Hz 150mS on, 150mS off	26	90	3	96	6
27	0 1 0 1 1	Swedish Tone (All Clear)	Continuous 660Hz	27	91	5	97	9
28	1 1 0 1 1	ISO8201 LF	Intermittent 970Hz 500mS on, 500mS off	28	93	5	99	10
29	0 0 1 1 1	ISO8201 HF	Intermittent 2900Hz 500mS on, 500mS off*	29	103	13	110	27
30	1 0 1 1 1	BT Banshee (FPI063.1)	Yodel 800Hz/1000Hz, 0.25sec each frequency	31	93	6	100	12
31	0 1 1 1 1	BT Banshee (FPI063.1)	Continuous 1000Hz	31	90	6	96	14
32	1 1 1 1 1	Bell Tone	Bell Tone	32	96	12	101	25

Notes: *Tones highlighted in bold are approved under the Construction Product Directive; Sound output (dBA) and current (mA) values are typical.

DS/EXCEL-TD/ISS 2

We reserve the right to change or amend any design or specification in line with our policy of continuing development and improvement.

Vimpex LTD

Star Lane, Great Wakering,
Essex SS3 0PJ, UK
t. +44 (0) 1702 216999
e. sales@vimpex.co.uk
www.vimpex.co.uk

Vimpex Interguard AB

t. +46 (0) 36 37 10 65
e. sales@vimpex.se



Quality System Certificate No. 456
Assessed to ISO 9001:2000